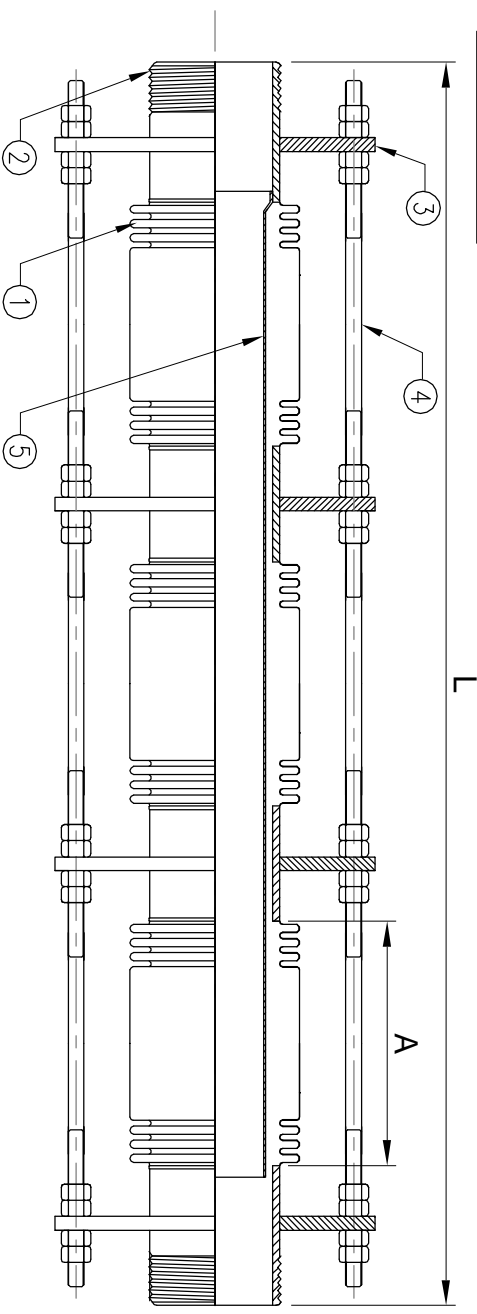
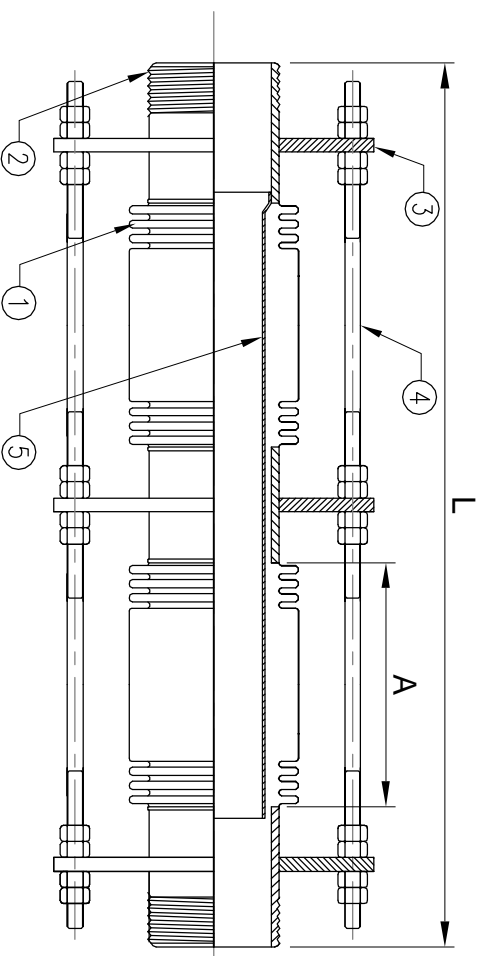


SL. NO. 1 TO 4



SL. NO. 5



Model - SSEJ-250T-SG
THREADED ENDS - BSPP / NPT

WORKING PRESSURE : 16 bar
 WORKING TEMPERATURE : -50°C to +450°C
 AXIAL MOVEMENT : + / - 50mm

SL. NO.	NOMINAL BORE	TOTAL LENGTH (L)	BELLOWS	
	mm	(+/-5mm)	CORRS	A
1	20	630	20+20+20	104
2	25	630	20+20+20	104
3	32	650	18+18+18	125
4	40	650	18+18+18	135
5	50	620	24+24	135

LARGER SIZES ON REQUEST

■ CONSTRUCTION		
ITEM	PARTS	MATERIAL
1	BELLOWS	SST304 (2 PLY)
2	TUBE	CARBON STEEL
3	GUSSET	CARBON STEEL
4	TIE RODS	CARBON STEEL
5	INNER SLEEVE	SST304

OTHER MATERIALS/FINISH AVAILABLE ON REQUEST

STANDARD FINISH
 FLANGES / GUSSETS : GALVO PAINT
 CONTROL ROD : ZINC PLATED
 & HARDWARE