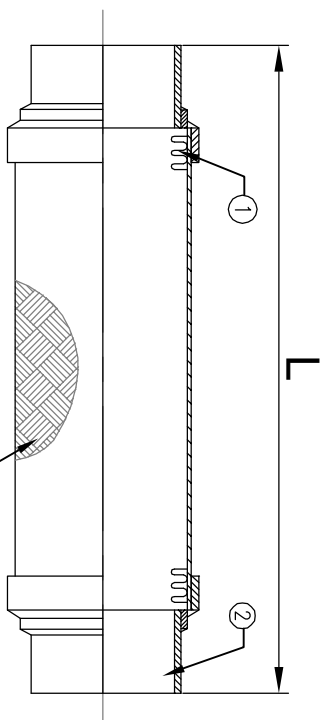


Model -SSBH - 300CT
 THREADED ENDS BSPP / NPT



Model -SSBH-300CW
 COPPER WELD ENDS
 TO SUIT SCHEDULE 40 PIPES



S.NO.	NOMINAL BORE	TOTAL LENGTH (+ / -5mm)		OFFSET (+/-mm)	Working Pressure
	mm	300CW	300CT		
1.	15	250	250	20	20
2.	20	250	250	20	20
3.	25	250	250	20	20
4.	32	250	250	20	20
5.	40	250	250	16	20
6.	50	250	250	16	20
7.	65	300		16	16
8.	80	300		16	16
9.	100	300		15	16
10.	125	300		15	16
11.	150	300		12	16
12.	200	300		8	16

■ CONSTRUCTION		
ITEM	PARTS	MATERIAL
1	BELLOWS	SST304 / BRONZE [Optional]
2	TUBE	COPPER
3	BRAID	SST304 / BRONZE [Optional]
4	STANDARD FITTINGS FINISH	GALVO PAINT

OTHER MATERIALS /FINISH AVAILABLE ON REQUEST

WORKING TEMPERATURE : -50°C to +450°C