

S.NO.	NOMINAL BORE mm	TOTAL LENGTH (+/- 5mm) mm	BELLOWS			OFFSET mm	
			W	H	Wall Thk mm		
1.	15	200	2.8	5	0.3	2	26
2.	20	200	3.2	5	0.3	2	26
3.	25	200	3.5	6	0.3	2	24
4.	32	200	4.0	6	0.3	2	21
5.	40	230	5.0	7	0.4	2	16
6.	50	230	7.0	8	0.4	2	15
7.	65	230	8.0	8	0.3	2	13
8.	80	230	10	10	0.3	2	11
9.	100	230	12	12	0.4	2	9
10.	125	280	12	12	0.4	2	14
11.	150	280	14	14	0.5	2	12
12.	200	400	18	16	0.4	2	12
13.	250	400	22	18	0.5	2	10

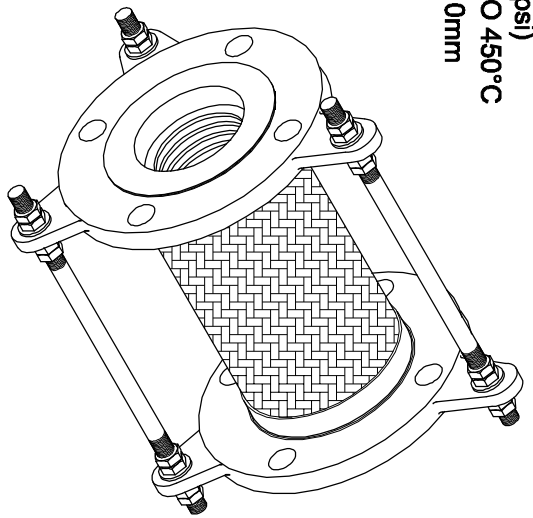
MODEL - SSBH-600H-SG

FLANGE ENDS: PN40

WORKING PRESSURE: 40 bar (580 psi)

WORKING TEMPERATURE: -50°C TO 450°C

AXIAL & LATERAL MOVEMENT: +/-10mm



■ CONSTRUCTION			
ITEM	PARTS	MATERIAL	
1	BELLOWS	SST304	
2	FLANGE	CARBON STEEL	
3	SEAL RING	SST304	
4	WIRE BRAIDS	SST304	
5	TIE RODS	CARBON STEEL	