

Stainless Steel Braided Hose Connector

FLEXIBLE CONNECTORS

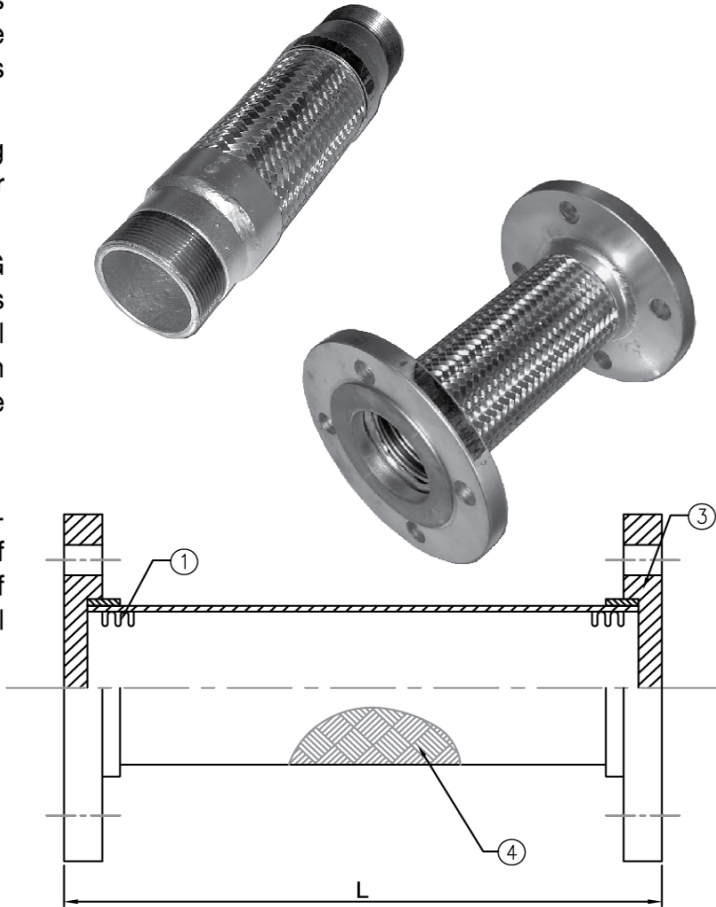
Description KINFLEX Flexible Connectors prevent stresses due to piping misalignment. Metallic Flexible Connectors are formed of corrugated stainless tube reinforced by stainless steel wire braid.

Connectors reduce objectionable noise and vibration in piping systems connected in pumps, compressors, and similar pulsating equipment.

Applications AIR CONDITIONING HEATING AND VENTILATING SYSTEMS. KINFLEX Flexible Connectors eliminate stresses caused by changes in temperature, piping misalignment, as well as reducing the transmission of noise and vibration. They are on both hot and chilled water circulation lines, suction and discharge sides of pumps, and header connections.

KINFLEX MARINE SYSTEMS:

Flexible connectors isolate marine systems against the transmission of noise vibration and eliminate the destructive action of electrolysis. They are used on suction and discharge sides of circulating water cooling systems and air intake lines on diesel engines.



Model -SSBH -150F / 300F
FLANGED ENDS ANSI ASA 150 / 300
BS4504 PN16 / PN25

- Model -SSBH-300W (WELD ENDS)*
- Model -SSBH - 300T (THREADED ENDS BSP / NPT)*
- Model -SSBH - 300G (GROOVED ENDS)*
- * TO SUIT SCH 40 STEEL PIPE

NOMINAL BORE mm	TOTAL LENGTH (L) (+ / -5mm)				OFFSET + / -	Working Pressure Bar	
	300T/300G	300W	150F	300F		300T/300G 300W/150F	300F
15	250	250	250	300	20	20	25
20	250	250	250	300	20	20	25
25	250	250	250	300	20	20	25
32	250	250	250	300	20	20	25
40	250	250	250	300	16	20	25
50	250	250	250	300	16	20	25
65	300	300	250	300	16	16	25
80	300	300	250	300	16	16	25
100	300	300	250	300	15	16	25
125	300	300	300	350	15	16	25
150	300	300	300	350	12	16	25
200	300	300	300	350	8	16	25
250	--	350	350	400	8	16	25
300	--	350	350	400	7	16	25
350	--	350	350	400	7	16	25
400	--	350	350	400	5	16	25
500	--	350	350	400	5	16	25
600	--	350	350	400	5	16	25

■ CONSTRUCTION		
ITEM	PARTS	MATERIAL
1	BELLOWS	SST304
2	TUBE	CARBON STEEL / COPPER
3	FLANGE	CARBON STEEL
4	BRAID	SST304
5	STANDARD FITTINGS FINISH	GALVO PAINT (SPECIAL ENAMEL PAINT SHOWN IN THE PICTURE)

OTHER MATERIALS AVAILABLE ON REQUEST
 WORKING TEMPERATURE : -50°C TO +450°C
 BURST PRESSURE : 16 BAR = 64 BAR
 25 BAR = 100 BAR



KINETICS MIDDLE EAST LLC
 P.O Box: 37670, Dubai, U.A.E
 Tel: +971 4 885 73 61
 E-mail: sales@kineticsgroup.ae
 Web: www.kineticsgroup.ae