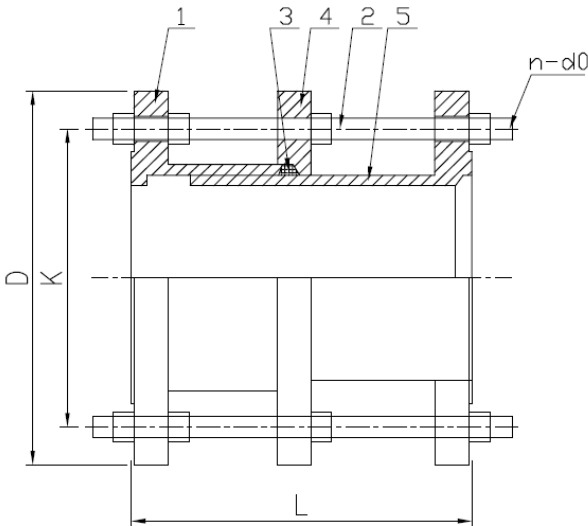
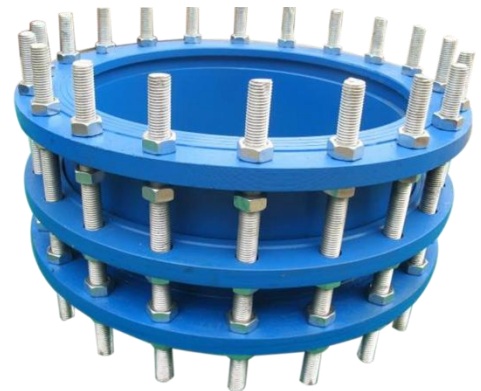
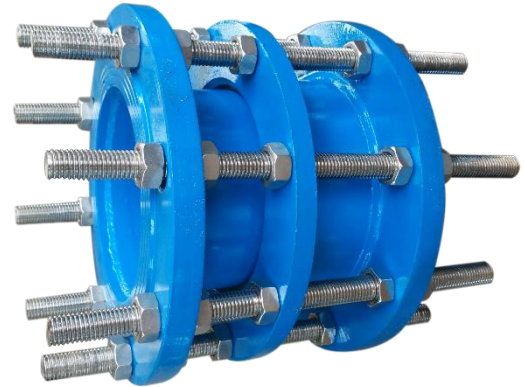


Kinetics **KINCUP Dismantling Joints** are used for dismantling the equipment's or fittings or pipe sections fitted in the pipe line. They are an essential aid during the installation and removal of pipe sections and valves. Without a dismantling joint offering longitudinal adjustment, it is almost impossible to insert a valve exactly into a pipe section. Thanks to this adjustability of the dismantling joint, the valve can be fitted next to the dismantling joint, and the dismantling joint can be set to the exact length required prior to being securely connected to flanges.

The reverse sequence is used for dismantling, where readjustment of the length of the dismantling joint creates enough space to loosen and remove the valve. In both cases, the dismantling joint guarantees fast installation and removal, thus contributing to increased efficiency and reducing site operations and down time. The procedure is similar where pipe sections have to be fitted together. Certain types of dismantling joints are also suitable for use without restraint in flexible pipelines. Finally, dismantling joints can be used to fill gaps e.g. where a pump installed in a fixed position has to be connected to a pipe protruding from a wall.

Applications

Valves, Pumps, Meters or other Flanged equipment that may need to be removed periodically



SR	PARTS	MATERIAL
1	FLANGE	CARBON STEEL
2	STUD / NUT	STEEL WITH ZINC PLATED
3	RUBBER GASKET	EPDM
4	GLAND	CARBON STEEL
5	ADAPTOR	CARBON STEEL

Installation

Installation is to be carried out in accordance with **KINCUP** installation instructions.

DISCLAIMER:

The information provided is intended only as a summary and general overview on matters of interest. The information is not intended to be comprehensive nor does it constitute expert advice. KINETICS Middle East LLC shall not be liable for incidental and/or consequential damages directly or indirectly sustained, nor any loss caused by not complying with relevant industry/product standards and improper use of any KINCUP products. Due to varying construction methods, any other circumstances not stated above should be brought to the attention of KINETICS Middle East LLC for review. For suitability to the prevailing site conditions, it is advised that certified testing should be conducted. It is recommended to seek further advice on your application with our technical staff prior to use.

KINETICS Middle East L.L.C.

PO Box: 37670, Dubai, UAE

Tel: +971 4 885 73 61 Fax: +971 4 885 73 61

sales@kineticsmiddleeast.ae

www.kineticsmiddleeast.com