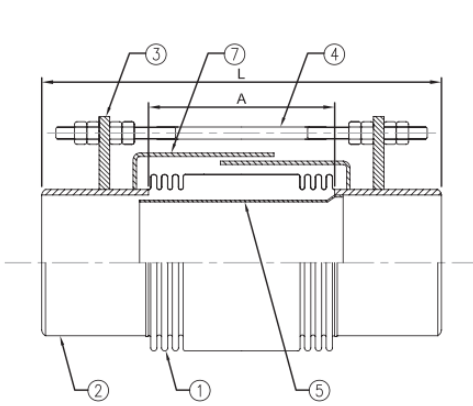


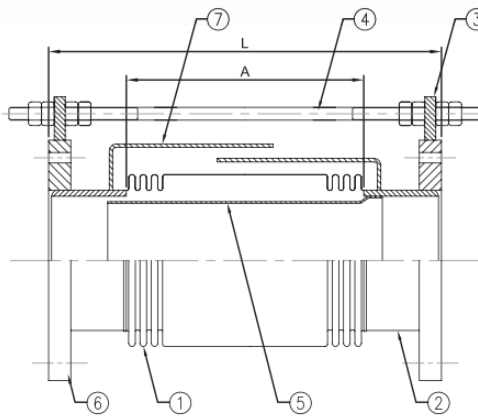
EXPANSION JOINTS

KINJOINTS Expansion joints are used mainly to absorb dimensional changes caused by thermal movements of a pipe-line. They consist of bellows formed from a thin walled stainless steel tube. Bellows expansion joints are preferred to other methods of absorbing pipe movements such as pipe loops and slip-type joints. Pipe loops are wasteful of space while slip joints require regular maintenance. Additionally, loops and slip joints are capable of absorbing movement that is in line with the pipe only. Bellows joints require no maintenance and allow many types of movement in a compact space.

KINJOINTS Bellows expansion joints are available in Flanged, Welded, Grooved or Threaded ends. Internal liners to prevent erosion of the inner surface of the bellows and the induced vibrations by the flowing fluid are available. Optional features include tie rods to control movement and shrouds to protect the outer surface of the bellows from damage in buried installation. Consult Kinetics for proper anchoring and guiding of pipe with expansion joints to prevent extending or buckling of joints due to pressure thrusts.



THREADED ENDS - BSP / NPT
 Model - SSEJ-250T
WELD ENDS - SCHEDULE 40 PIPE
 Model - SSEJ-250W
GROOVED ENDS - SCHEDULE 40 PIPE
 Model - SSEJ-250G
 FOR TIE RODS ADD "SG" SUFFIX
 FOR EXTERNAL SHROUD ADD "ES" SUFFIX



FLANGED ENDS - ANSI ASA 150 / 300 OR BS4504 PN16 / PN25 / PN40
 Model - SSEJ-150F / 300F
 FOR TIE RODS ADD "SG" SUFFIX
 FOR EXTERNAL SHROUD ADD "ES" SUFFIX
 WORKING PRESSURE : 16 bar / 25 bar / 40 bar
 WORKING TEMPERATURE : -50°C to +450°C
 AXIAL MOVEMENT : + / - 25mm
 OTHER MOVEMENT(S) ON REQUEST



STANDARD FINISH

FLANGES / GUSSETS : GALVO PAINT
 CONTROL ROD & HARDWARE : ZINC PLATED
 OTHER FINISHES ON REQUEST

CONSTRUCTION:

ITEM	PARTS	MATERIAL
1	BELLOWS	SST304[2 PLY]40 BAR [3 PLY]
2	TUBE	CARBON STEEL
3	GUSSET	CARBON STEEL
4	TIE RODS	CARBON STEEL
5	INNER SLEEVE	SST304
6	FLANGE	CARBON STEEL
7	EXTERNAL COVER[OPTIONAL]	CARBON STEEL
8	OTHER MATERIALS ON REQUEST	

NOMINAL BORE	TOTAL LENGTH (L) (+/-5mm)						BELLOWS CORR S						BELLOWS LENGTH [A]					
	250T 16/25 BAR	250W 16/25 BAR	250G 16/25 BAR	150F 16 BAR	300F 25 BAR	300F 40 BAR	250T 16/25 BAR	250W 16/25 BAR	250G 16/25 BAR	150F 16 BAR	300F 25 BAR	300F 40 BAR	250T 16/25 BAR	250W 16/25 BAR	250G 16/25 BAR	150F 16 BAR	300F 25 BAR	300F 40 BAR
DN15	350	350	400	--	300	350	27	27	27	--	--	--	130	130	130	--	--	--
DN20	350	350	400	--	300	350	25	25	25	--	--	--	130	130	130	--	--	--
DN25	350	350	400	--	300	350	25	25	25	--	--	--	130	130	130	--	--	--
DN32	350	350	400	300	300	350	20	20	20	20	20	20	140	140	140	140	140	150
DN40	350	350	400	300	300	350	17	17	17	17	17	17	140	140	140	140	140	160
DN50	350	350	400	300	300	350	16	16	16	16	16	16	140	140	140	140	140	160
DN65	350	350	400	300	300	350	14	14	14	14	14	14	140	140	140	140	140	160
DN80	350	350	400	300	300	350	14	14	14	14	14	14	140	140	140	140	140	160
DN100	350	350	400	300	300	350	12	12	12	12	12	12	145	145	145	145	145	170
DN125	--	400	450	300	300	350	--	12	12	12	12	12	--	145	145	145	145	170
DN150	--	400	450	300	300	350	--	10	10	10	10	10	--	145	145	145	145	170
DN200	--	400	450	300	300	350	--	8	8	8	8	8	--	145	145	145	145	170
DN250	--	400	450	300	300	350	--	8	8	8	8	8	--	150	150	150	150	170
DN300	--	400	450	300	300	400	--	8	8	8	8	8	--	150	150	150	150	170
DN350	--	400	500	300	300	400	--	6	6	6	6	6	--	140	140	140	140	170
DN400	--	400	500	350	350	400	--	6	6	6	6	6	--	140	140	140	140	170
DN450	--	400	500	350	350	420	--	6	6	6	6	6	--	155	155	155	155	180
DN500	--	400	500	400	400	450	--	6	6	6	6	6	--	170	170	170	170	200
DN600	--	400	500	400	400	450	--	4	4	4	4	4	--	150	150	150	150	170

LARGE SIZES/MOVEMENT/WORKING PRESSURE ON REQUEST | ALL ABOVE DIMENSIONS ARE BASED ON PN16/PN25/PN40 FLANGE STAND



SSEJ-250T/W/G



SSEJ-250T/W/G-SG



SSEJ-250T/W/G-SG-ES



SSEJ-150F/300F-SG



SSEJ-150F/300F-SG-ES

DISCLAIMER:

The information provided is intended only as a summary and general overview on matters of interest. The information is not intended to be comprehensive nor does it constitute expert advice. KINETICS Middle East LLC shall not be liable for incidental and/or consequential damages directly or indirectly sustained, nor any loss caused by not complying with relevant industry/product standards and improper use of any KINCUP products. Due to varying construction methods, any other circumstances not stated above should be brought to the attention of KINETICS Middle East LLC for review. For suitability to the prevailing site conditions, it is advised that certified testing should be conducted. It is recommended to seek further advice on your application with our technical staff prior to use.

KINETICS Middle East L.L.C.

PO Box: 37670, Dubai, UAE

Tel: +971 4 885 73 61

sales@kineticsgroup.ae

www.kineticsgroup.ae