

Specification:

Working Pressure: 17 Bar(250psi)

Working Temperature: -20 Degree C to 90 Degree C

Application: hot water storage tanks, water and air conditioners, processing tanks, steam, gas, and water piping ect.

Standards:

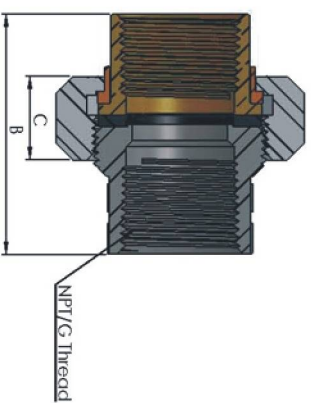
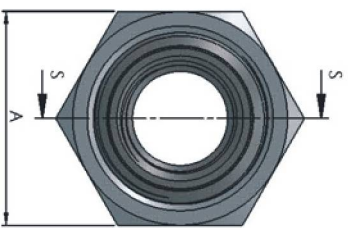
Thread: NPT thread as per ASME B1.20.1/ G thread as per ISO 228/1

Solder : ASME B16.18

Material

No.	Part Name	Material
1	Steel Nut	Forged Steel
2	Plastic Sleeve	Nylon
3	Brass/Steel Tailpiece	Forged Brass / Steel
4	Rubber Washer	NBR
5	Steel Tailpiece	Forged Steel

F x F Series DU---Steel Female NPT/G Thread x Brass Female NPT/G Thread



Item No.	Size	A _{min}	B _{min}	C _{min}	Thread
DU050FF	1/2"	41	52	19.5	1/2"
DU075FF	3/4"	48	57	19.5	3/4"
DU100FF	1"	58	65	22	1"
DU125FF	1-1/4"	70	70	22	1-1/4"
DU150FF	1-1/2"	88	69	22	1-1/2"
DU200FF	2"	105	80	28	2"

