

Specification:

Working Pressure: 17 Bar(250psi)

Working Temperature: -20 Degree C to 90 Degree C

Application: hot water storage tanks, water and air conditioners, processing tanks, steam, gas, and water piping ect.

Standards:

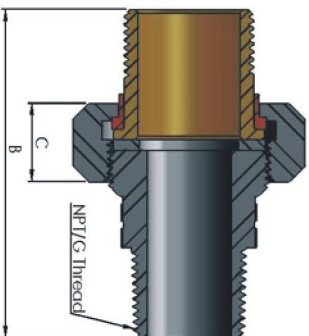
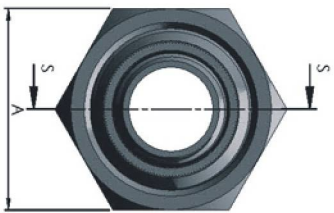
Thread: NPT thread as per ASME B1.20.1/ G thread as per ISO 228/1

Solder : ASME B16.18

M x M Series DU---Steel Male NPT/G Thread x Brass Male NPT/G Thread

Material

No.	Part Name	Material
1	Steel Nut	Forged Steel
2	Plastic Sleeve	Nylon
3	Brass/Steel Tailpiece	Forged Brass / Steel
4	Rubber Washer	NBR
5	Steel Tailpiece	Forged Steel



Item No.	Size	A _{mm}	B _{mm}	C _{mm}	Thread
DU050MM	1/2"	38	84	19.5	1/2"
DU075MM	3/4"	41	87	19.5	3/4"
DU100MM	1"	48	96	20	1"

