

# MIXED FLOW IN-LINE DUCTED FANS FOR RESIDENTIAL AND COMMERCIAL SITE



**KINAIR Mixed Flow In-line Ducted Fans** have plastic housing, high efficient motor, quiet wind wheel and are durable.



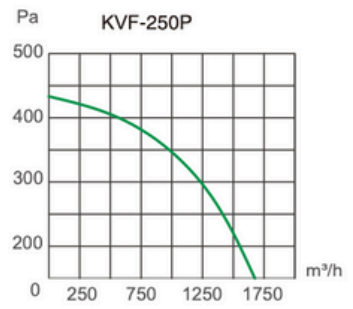
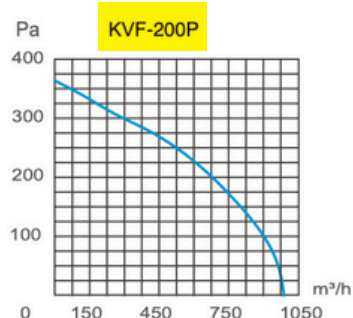
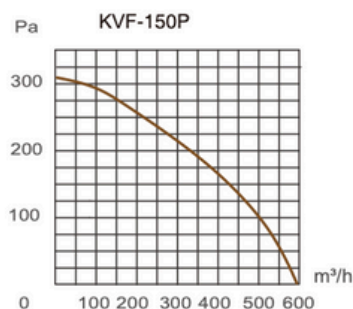
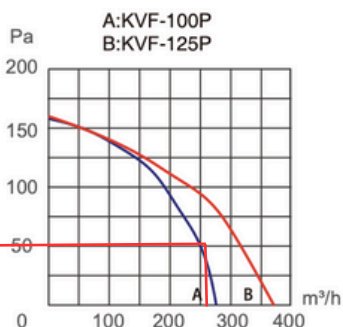
## FEATURES

- High quality motor, run out only 0.35 mm
- Stronger air volume and static pressure
- Optional: 2 speeds

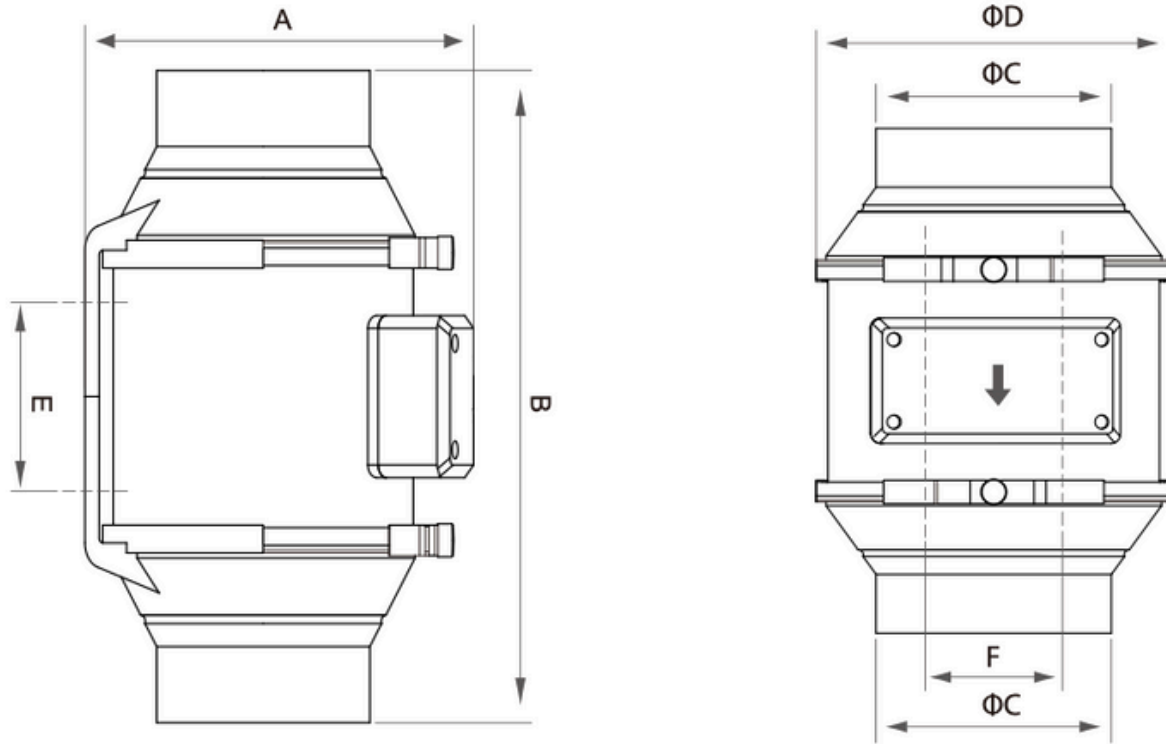
## BODY STRUCTURE



## PERFORMANCE CURVE



## UNIT SIZE AND PARAMETERS



Unit: mm

Model	A	B	C	D	E (Installation dimensions)	F (Installation dimensions)
KVF-100P	215	257	100	177	59.5	79.5
KVF-125P	215	257	121	177	59.5	79.5
KVF-150P	243	302	147	202	59.5	93
<b>KVF-200P</b>	<b>270</b>	<b>300</b>	<b>197</b>	<b>220</b>	<b>85</b>	<b>113</b>
KVF-250P	350	378	247	290	115	230

Model	Voltage/ Frequency (V/Hz)	Input Power		Air Volume		Noise		Static Pressure		Rotation Speed		Duct Dimension (mm)	Net Weight (kg)	Gross Weight (kg)	Applicable Area (m <sup>3</sup> )	Package Size (mm)
		(W)		(m <sup>3</sup> /h)		(dB)		(Pa)		(rpm)						
		H	L	H	L	H	L	H	L	H	L					
KVF-100P	220V/50Hz	28	25	275	210	32	26	163	136	2200	1680	Φ100	1.4	1.89	10-15	280x205x245
KVF-125P	220V/50Hz	30	26	385	310	34	27	168	148	2200	1750	Φ125	1.4	1.89	18-22	280x205x245
KVF-150P	220V/50Hz	46	42	590	500	42	37	315	252	2410	2100	Φ150	2.2	2.93	28-33	330x235x275
<b>KVF-200P</b>	<b>220V/50Hz</b>	<b>117</b>	<b>114</b>	<b>1000</b>	<b>800</b>	<b>62</b>	<b>54</b>	<b>363</b>	<b>281</b>	<b>2420</b>	<b>2030</b>	<b>Φ200</b>	<b>3.3</b>	<b>4.12</b>	<b>38-43</b>	<b>315x250x305</b>
KVF-250P	220V/50Hz	207	175	1600	1400	64	57	443	320	2500	2320	Φ250	6.9	8	48-53	390x305x378